



Gallery

STM Large Format Semi-Automatic Heat press

Model. No.: STM-40/48/55

Feature:

- ◆ Auto open, large format
- ◆ Digital Temperature & Time Control
- ◆ Automatic Alarm
- ◆ 1 year warranty on entire press
- ◆ Wooden Package

Specification:

- ◆ Machine Type: Auto Release, Clamshell
- ◆ Platen Size: 32"x40"/40"x48"/40"x64"
(80x100cm/ 100x120cm/100x140cm)
- ◆ Under Plate: Draw-out
- ◆ Controller: GY-06 Digital Time & Temp. Control
- ◆ Printable Articles: Up to 20mm Thickness
- ◆ Gas Spring Control: Yes
- ◆ Voltage: 220V 1phase/ 220V 3phase/ 380V 3phase
- ◆ Power: 5.1KW/ 7.5KW/ 9KW
- ◆ Time Range: 0-999 sec.
- ◆ Maximum Temp: 225 C
- ◆ Temperature Accuracy: $\pm 0.5\%$
- ◆ High Pressure: 8KG/CM
- ◆ Packing Size: 154x124x147cm / 154x142x147cm / 149x159x149cm
- ◆ Gross Weight: 450kg (Wooden Package)





Recycled Cotton Pad



Strong Arm



Emergency Stop Switch



Anti-scald Protection
Metal Cover



GY-06 Digital
Time & Temp. Control

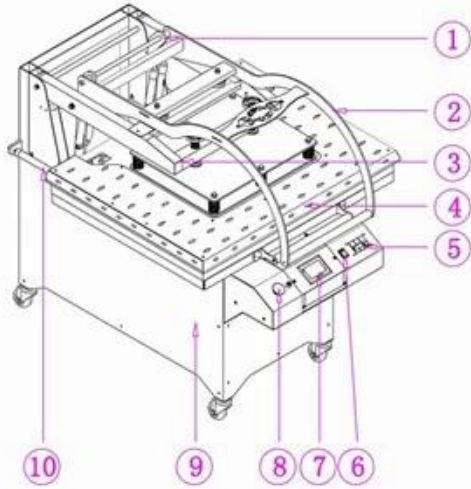


Draw-out Under Plate

Application:

◆Especially for Large Size colth, banner, also for T-shirt, Puzzle, Mouse Pad, Metal Board, Fridge Magnet, Coaster, Slipper, Bag, Cushion etc

Assembly Drawing:



- ① Arm Support ② Handle Bar Grip ③ Davit Arm ④ Heat Platen
- ⑤ Circuit Breaker ⑥ Power Switch ⑦ GY-06 Digital Controller ⑧ Emergency Stop Button
- ⑨ Machine base ⑩ Slide Rail

Packing:

The machine is packed in strong wooden package and provide with manual.
(154x124x147cm / 154x142x147cm / 149x159x149cm)



Machine Warranty

Microtec Microtec

□□□□□□

* □□□□□□ □□□□□□□□□□□□□□□□

* 2□□□□□

* □□□□□□□□□□ 5 □□□□□□

※□□□□□□□□□□5□□□□□□□□□□