

Description

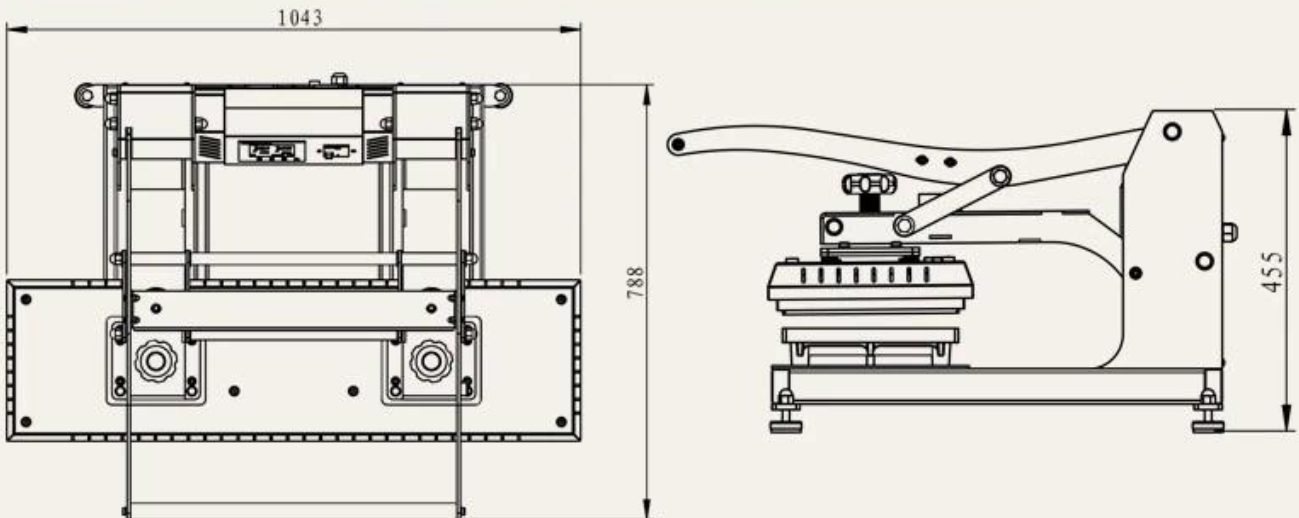
Microtec [lanyard heat press machine](#) is specially designed for [lanyard printing](#) and [pants sublimation printing](#). Since the size of heat platen is 25*100cm, you can use this machine to transfer several lanyards at one time.

With two strong pressure bars, [lanyard heat press](#) distributes even heat and pressure, to ensure the best transfer result at center and 4 corners. After setting 180C and 60S, this machine will open automatically when time is up since it's [auto open heat press](#).

You can also use this heat press for transferring sublimation phone cases, mouse pads, baby bibs etc for higher efficiency with such large size heat platen. More production ability with lower cost.



Size: Machine Size: 1043*788*455mm Carton Size: 1200*950*610mm (wooden box)



LAP-40 Lanyard heat press main features include:

Advanced heating technology: This lanyard heat press machine uses advanced heating technology to ensure precise and reliable heat transfer results, with high-definition and high-precision design transfers.

Wide compatibility: This heat press machine is compatible with lanyards made of various materials

such as nylon, polyester, and silk, making it a versatile heat transfer solution.

User-friendly design: LZP-40 Lanyard heat press machine is easy to operate, with a digital display panel and an easy-to-read display that makes it easy for anyone to use.

Durable and long-lasting: It is built with high-quality materials and is designed to withstand heavy use, ensuring long-lasting performance.

Feature



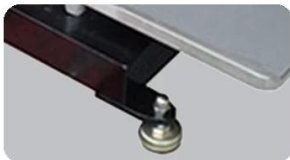
GY-06 Digital Controller: This controller will show directly setting time and temperature and present time and temperature at the same time.



Two Shores: 4pcs springs between metal cover and heat platen to make sure the high and even pressure.



Anti-scald Protect Cover: Offered with anti-scald metal cover to protect the used. More safe for use.



Machine Feet with Rubber: Avoid scratching the floor or the heat press table when you place this lanyard heat press onto it.

Specification

Model No.	LZP-40
Platen Size	100*25cm
Controller	GY-06 Digital Time & Temp. Control
Voltage	220V/ 110V
Power	2.2KW/ 2.4KW
Current	20A/ 11A
Frequency	50Hz/ 60Hz
Temperature Range	0-225°C (0-437°F)
Time Range	0-999 Sec.
Temperature Accuracy	±5°C
Net Weight	90KG
Gross Weight	138.6KG

Machine Size

105*79*46cm

Carton Size

Carton Size: 120*96*62cm (Wooden case)

Maximum Temp

225°C

Application

This lanyard heat press machine is ideal for printing designs onto lanyards made of various materials such as nylon, polyester, and silk.



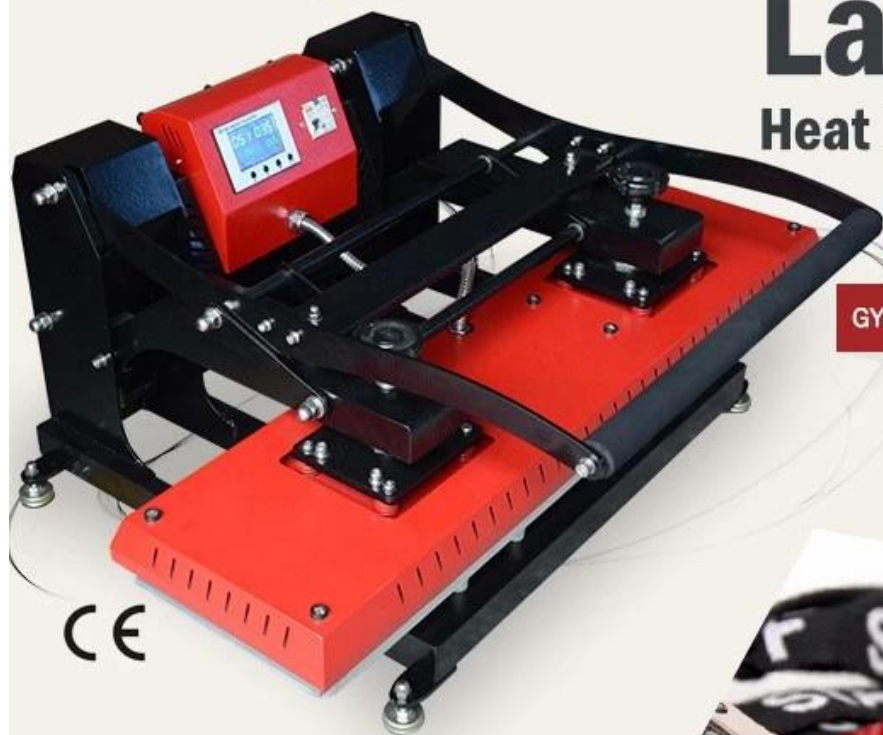
Gallery

New Lanyard Heat Press Machine

Even Pressure; Simple, Safe Operation

GY06 Digital Time & Temperature Controller

Manual Type with Reasonable Price



CE

Applications:

Lanyards, pants, sublimation phone cases, mouse pads, baby bibs, puzzles etc.

Features:

- *Designed for lanyard & pants printing
- *Two strong pressure bars for even heat & pressure
- *GY06 digital timer & temperature controller
- *Large heat platen with high efficiency
- *More production ability with lower cost



DISPLAY

HIGH QUALITY PARTS

Warranty: One year for entire machine, 5 years for heat platen



Machine Warranty:

Microtec's main objective is to support all our customers, who can manage their heat transfer activities without interruption. So Microtec offers FREE SPARE PARTS with a quantitative order and the following guarantee:

- * Free lifetime technical support on all heat press machines.
- * Two-year warranty
- * Five-year warranty on fusions and welds.
- * Five-year warranty on the heating plate.